

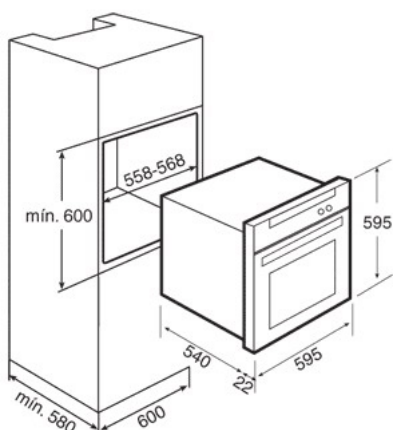
HC 670



CHARACTERISTICS

- . Multifunction oven
- . 7 cooking functions
- . Digital electronic timer with start and stop programmer
- . Capacity: 56 litres
- . Colour: reflex
- . Energy class: A
- . Teka family look control knobs
- . Maxi grill
- . Inner walls with Crystal Clean enamel
- . Full glass inner door
- . Double glazed door
- . Chromed tray guides
- . Mix chamber refrigeration system
- . Deep tray (50 mm) with Crystal Clean enamel
- . Cooking grid
- . Heating indicator light

TECHNICAL DRAWING



Overall measurements (mm)

Height/Width/Depth	595/595/562
--------------------	-------------

Inner measurements (mm)

Height/Width/Depth	319/450/397
Capacity litres	56

Electrical connection

Voltage 220-240 V	•
Frequency 50-60 Hz	•
Maximum connection rating (W)	2693

Power consumption

Bottom heat (W)	1150
Grill/Maxi Grill (W)	1500/2600
Traditional (W)	2250
Turbo (W)	-
Motor turbo multifunction (W)	30
Turnspit motor (W)	-
Interior light (W)	25
Cooling fan motor (W)	18

Features

Cooking functions	7
Touch control digital programmer	-
Digital timer with start/stop programmer	•
Analogic timer with start/stop programmer	-
Analogic timer with stop programmer	-
Mechanical timer with stop programmer	-
Pop-up control knobs	-
Express preheating	-
Telescopic tray guides	-
Chromed tray guides	•
Mix Chamber System (MCS)	•
Forced ventilation	•
Fume scape outlet	Vault
Drop-down grill	-

Safety systems

Door opening security disconnection	-
Children safety block option	-
Anti-tip tray system	-
Safety thermostat	•
Glazed door	2

Cleaning system

Self-cleaning panels	-
Crystal clean enamel	Trays/cavity
Pyrolytic cleaning	-
Fingerprint proof stainless steel	-

Accessories

Baking tray	-
Deep tray (50 mm)	1
Roasting tray	-
Chromed roasting grid	1
Turnspit	-
Tray handle	-

Energy efficiency

Energy label	A
--------------	---